

Model B30
2-20; 3-28; 4-31; 4-36; 5-44; 6-52

B30



CAST-IRON
BOILERS FOR
FUEL-OIL OR
GAS-FIRED
BLOWN AIR
BURNERS

GG20

Boiler body made of GG20 cast-iron



Operates with oil or gas burners

20÷40
kW

Power ratings: 20 kW + 52 kW



Heating



Resistant to condensation

TECHNICAL DATA

Model		B30/2-20	B30/3-28	B30/4-36	B30/5-44	B30/6-52
Number of sections		2	3	4	5	6
Net output	kW	20,0	28,0	36,0	44,0	52,0
Thermal output	kW	22,1	31,0	39,8	48,5	57,2
Efficiency at 100% net output	%	90,2	90,4	90,6	90,8	91,0
Efficiency at 30% net output	%	90,8	91,0	91,0	91,0	91,0
Flue gas temperature*	°C	215	210	210	215	220
Flue gas side load loss	mbar	0,18	0,18	0,23	0,30	0,33
Water side load loss, t = 15K	mbar	6	9	16	25	48
Water content	l	11,5	14,5	17,5	20,5	23,5
Maximum operating pressure	bar	4	4	4	4	4
Combustion chamber dimensions	D mm	275	275	275	275	275
	L mm	275	365	455	545	635
Flue connection	mm	130	130	130	130	130
Burner connection	mm	110	110	110	110	110
Flow/return connection	"G	1 1/4	1 1/4	1 1/4	1 1/4	1 1/4
Fill/drain connection	"G	1/2	1/2	1/2	1/2	1/2

*Flue gas temperature is measured with CO₂ = 13% for fuel oil - Hot water temperature = 80°C - Room temperature = 20°C.



CONTROL PANEL

The control panel includes:

- Main switch;
- On/off signal lamp;
- Boiler control thermostat;
- Manually reset safety thermostat;
- Boiler temperature thermometer;
- Lock out signal lamp.

MAIN TECHNICAL CHARACTERISTICS

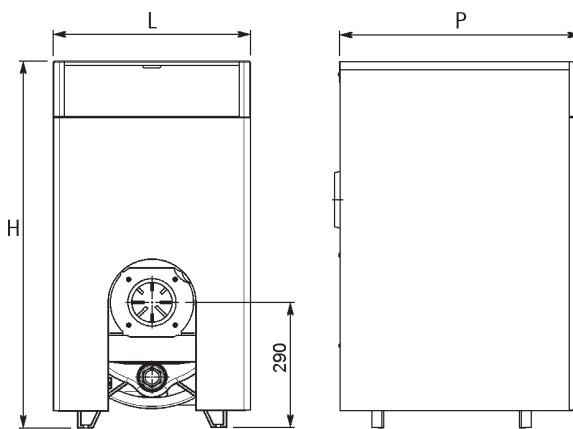
- High efficiency boiler (art. 8, law 10/91);
- Long-lasting GG20 cast-iron body;
- Two front doors;
- **Cleaning can be from the front** without removing the burner;
- Possibility of **low-temperature** operation;
- Each section is hydraulically tested at 10 bar;
- The assembled body is hydraulically tested at 6 bar;
- The manufacturing cycle is certified to ISO 9001 standards.

DELIVERY COMPOSITION

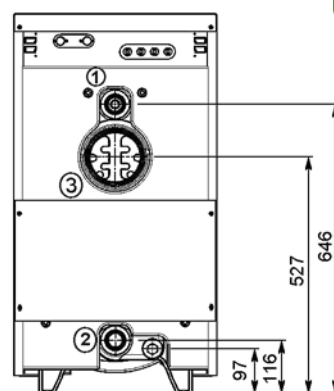
Model B30 boilers are delivered on pallets protected by a wooden crate. Delivery includes:

- Boiler body complete with two front doors, the upper for inspection and the lower to carry the burner with ceramic fiber insulation;
- Case made of painted steel sheet;
- Glass wool mattress insulation.

B30 dimensions



- 1 - Heating system flow
- 2 - Heating system return
- 3 - Flue output



DIMENSIONS AND WEIGHT

		B30 2-20	B30 3-28	B30 4-36	B30 5-44	B30 6-52
Height	H mm	850	850	850	850	850
Width	L mm	450	450	450	450	450
Depth	P mm	375	465	555	645	735
Weight	kg	97	117	139	165	178



BIASI S.p.A.
37135 VERONA (Italy) - Via Leopoldo Biasi, 1
Tel. 045.80.90.111 Fax 045.80.90.333
info@biasi.it - www.biasi.it

